

Pressure equalisation element DAE

Technical Specifications



General Information

Air exchange in sealed housings? No Problem!

Our pressure equalisation elements (formerly Gothe & Co. GmbH) have proven themselves reliably worldwide.

High temperatures and adverse environmental influences provide continuous pressure fluctuations in sealed housings – protect your sensitive electronics and improve the lifetime of electronic devices with our pressure equalisation elements.

- ⚡ **Reliable reduction of condensate formation**
- ⚡ **Protection of harmful fluids and particles**

Special Features

- ⚡ **Flat construction**
- ⚡ **Easy installation (from inside or outside)**
- ⚡ **100% Salt retention capacity**
- ⚡ **Very robust**
- ⚡ **Diverse versions**
- ⚡ **Air passage of up to 400 ml/min**



Pressure equalisation element DAE

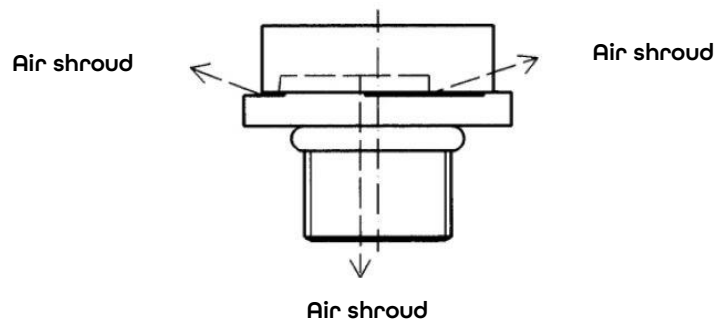
Technical Specifications



Technical Data

- ⚡ **Mounting body/cap** brass (optional nickel-plated, chrome-plated or stainless steel)
- ⚡ **Membrane** ePTFE (oleophobic)
- ⚡ **O-Ring** NBR (optional EPDM, FKM or silicone)
- ⚡ **Water ingress pressure** > 0,6 bar
- ⚡ **Protection class** DIN EN 60529 IP66, IP68 (installed)
- ⚡ **Acceptable temperatures** - 40 °C ... + 80 °C (150°C temporary)
- ⚡ **Salt crystal protection** DIN 50-0-21 100%
- ⚡ **Membrane Features** hydro- and oleophobic, wetting protection by surface tension $\geq 25\text{mN/m}$

Operating principle



Manufactured sizes

⚡ Thread size	⚡ Air flow (dp = 70 mbar)	⚡ SW (external hex/hexagon socket)
M8	10 ml/min	-/ 4 mm
M10 x 1	10 ml/min	14 mm/ -
M12 x 1,5	65 ml/min	19 mm/ 8 mm
M16 x 1,5	80 ml/min	24 mm/ 8 mm
M20 x 1,5	160 ml/min	27 mm/ 12 mm
M27 x 1,5	400 ml/min	36 mm/ 24 mm

Additional Pg or pipe thread available.

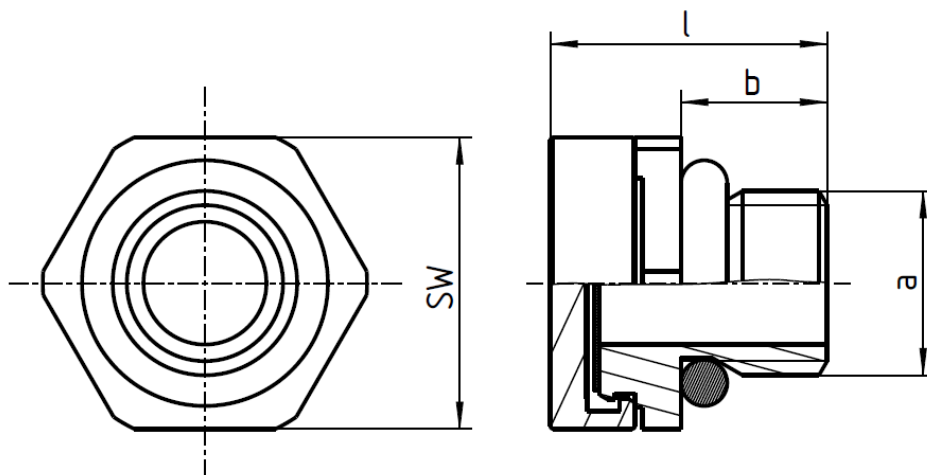


Pressure equalisation element DAE

Technical Specifications



Dimensions DAE-AS (picture DAE-AS-1215 on a scale of 2:1)



Item	a	b	l	SW
DAE-AS-1010	M10x1	5	9,7	14
DAE-AS-1215	M12x1,5	9,5	18	19
DAE-AS-1615	M16x1,5	12	20,5	24
DAE-AS-2015	M20x1,5	12	21	27
DAE-AS-2715	M27x1,5	15	24	36

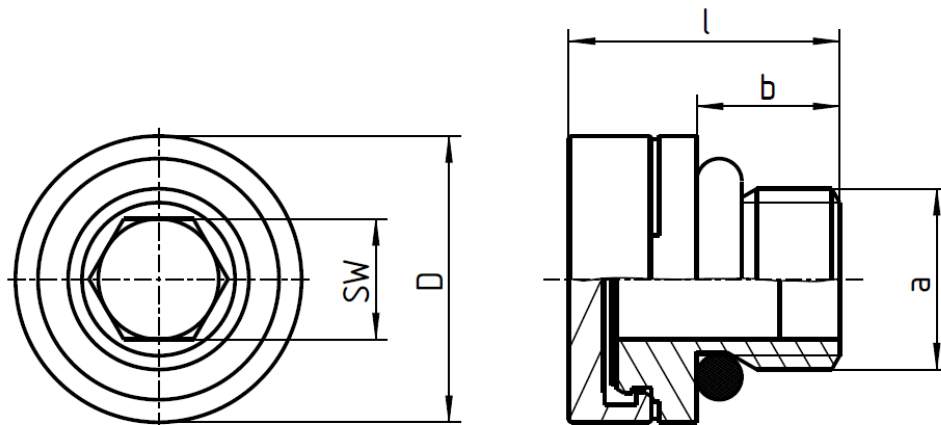


Pressure equalisation element DAE

Technical Specifications



Dimensions DAE-IS (picture DAE-IS-1215 on a scale of 2:1)



Item	a	b	l	SW	D
DAE-IS-0008	M8	8	12,7	4	14
DAE-IS-1215	M12x1,5	9,5	18	8	19
DAE-IS-1615	M16x1,5	12	20,5	8	24
DAE-IS-2015	M20x1,5	12	21	12	27
DAE-IS-2715	M27x1,5	15	24	19	36



Pressure equalisation element DAE

Technical Specifications



Order Information

Basic type DAE

DAE

-

-

-

-

Mounting type

AS = External hex

IS = Hexagon socket

Thread size

0008 = M8 (only for IS)

1010 = M10 x 1 (only for AS)

1215 = M12 x 1,5

1615 = M16 x 1,5

2015 = M20 x 1,5

2715 = M27 x 1,5

Material mounting body and cap

MS = Brass

NI = Brass nickel-plated

CR = Brass chrome-plated

VA = Stainless steel

Material O-Ring

NB = NBR

EP = EPDM

FK = FKM-sealing

SI = Silicone

Additional special specifications available on request.

